

# Instruction for Carton Box Stoker Compact

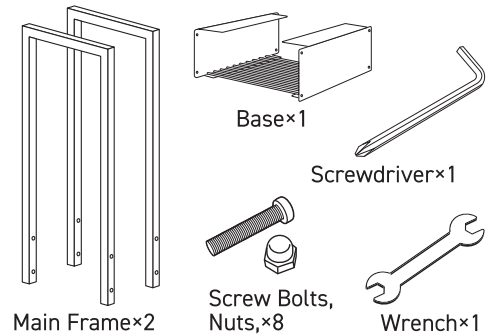
DS-250-110-0

Thank you very much for your purchasing <Carton Box Stoker Compact>.  
Please refer this instruction to build the item and keep for later use.

## Warning!!

- Please use on flat position, and do not use on rough floor. It may cause broken and fall down.
- Do not sit on or stand on the stoker, it may cause fall down and get injure.
- Do not drag the carton, it may damage to floor.
- Do not use other than carton stocking, and please handle with care.
- Do not remodel by your self, which may get injure.
- Stop using the item, when you find any defects
- Do not use places where a carton stoker get raining, it make cause rusting, so please store inside of building.
- Please prevent to use where a carton stoker get direct sun light, it may cause discoloration
- When you dispose the carton stoker and packing materials, Please follow your local authority's order.

## Contents



### Item's Overview

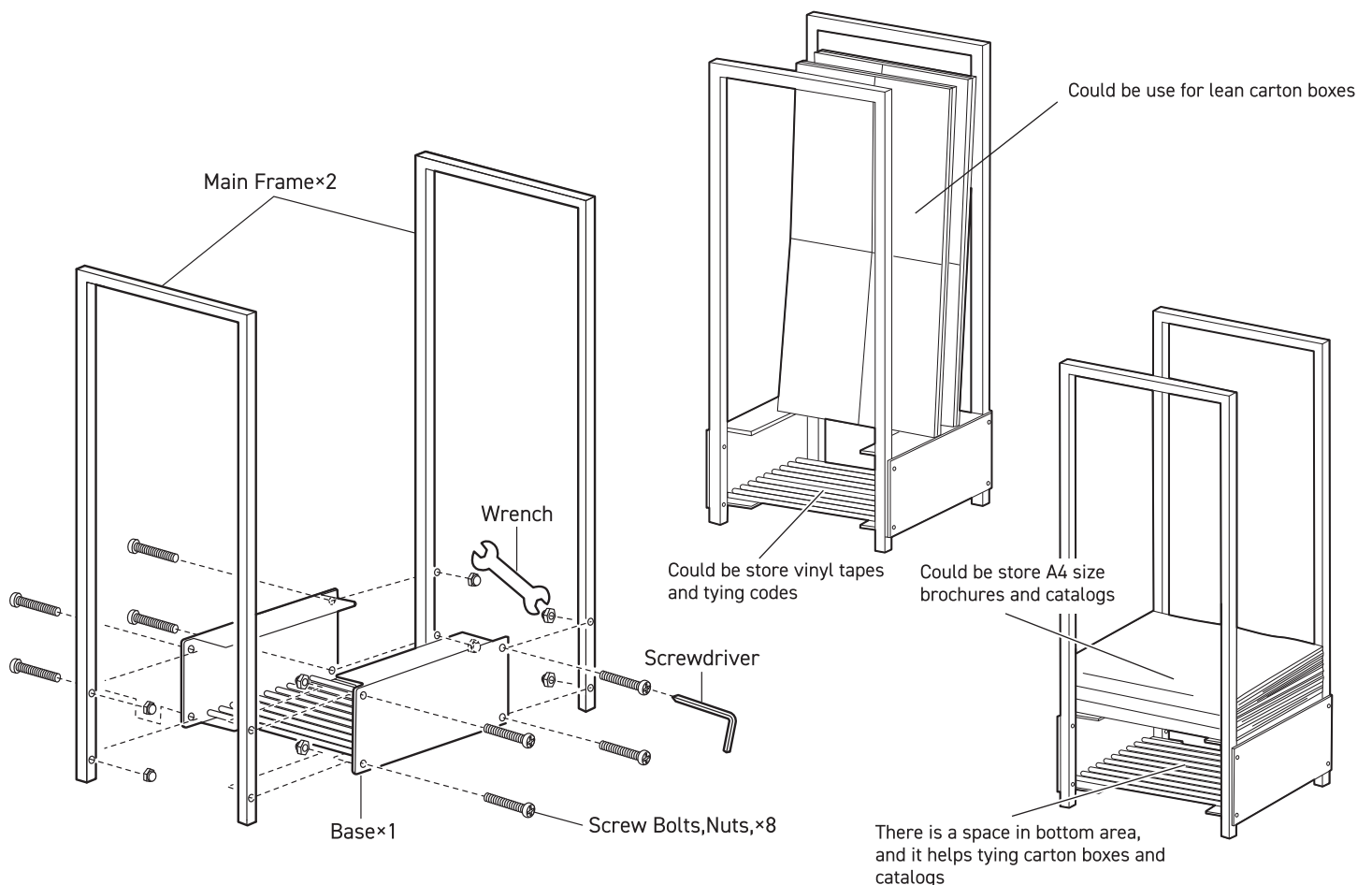
Materials: Steel with Baking Paint  
Size: Approximately W254×D254×H600mm  
Weight : Approximately 3.1kg

MADE IN CHINA

**[Beginning]** Lay soft cloths or carton paper to prevent any damage to the item and floor.

■ Please refer below drawing and attach screw bolts and nuts tightly (8 spots)

※ Please use including Wrench and Screwdriver.



## How to Taking Care

- For occasional clean, please wipe by dry or lightly wet cloths
- Diluted neutral detergent maybe apply for spotting dirts
- ※ Do not use Thinner or Alcohol type cleaners which may cause discoloration, distortion, and paint peeling.